

MicroStep®

spol. s r.o.



CPCut



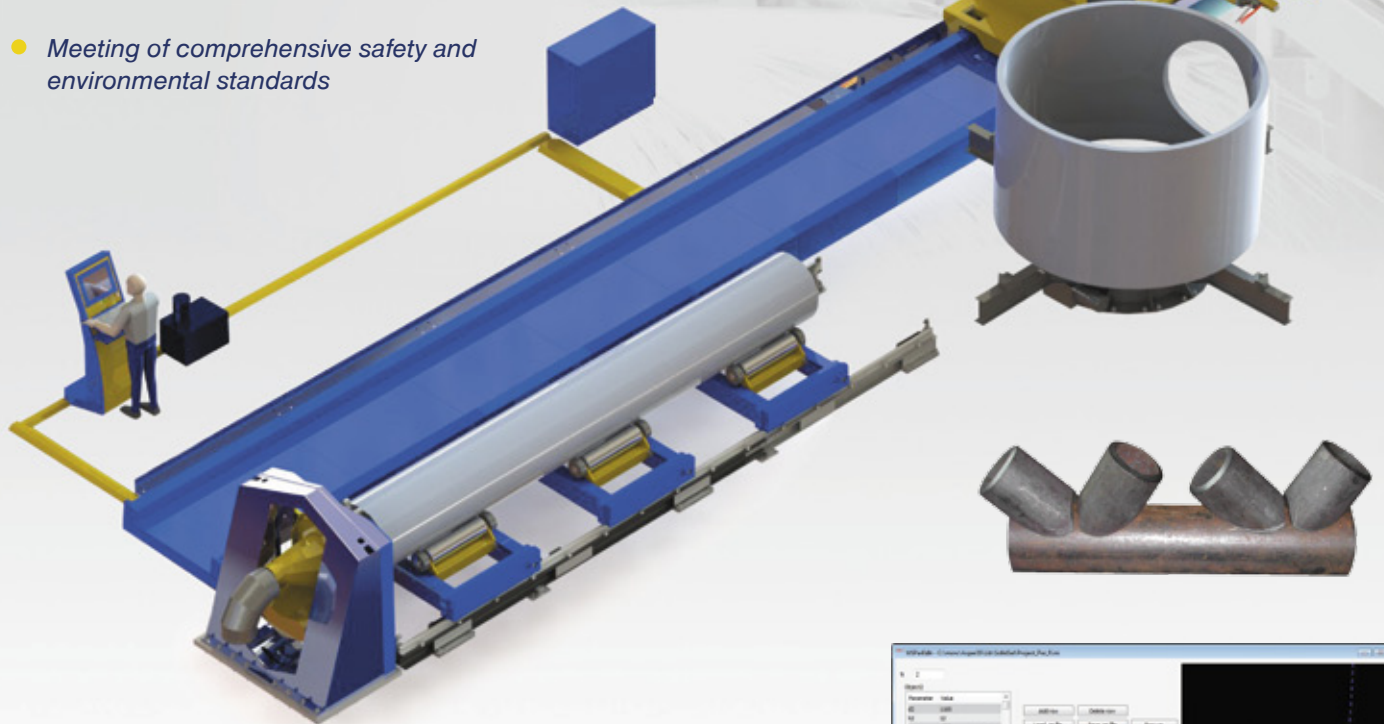
- Modular pipe and profile cutting line designed for a great range of pipe diameters and lengths
- Wide range of pipe based applications incl. trimming, cutting of holes for multiple pipe and profile intersections, welding seam preparation and pipe marking
- High-quality cutting with high-definition plasma as well as with standard air plasma sources
- Excellent exhausting efficiency provided by an overhead extraction system, designed to meet the standards of high-speed plasma cutting
- Sharp angles and corners of cut parts as well as high contour precision resulting from helical rack and split helical pinion drives
- Advanced height control for plasma cutting based on proprietary adaptive algorithms backed by ball screw actuated Z axis
- Control unit with touchscreen mounted on the gantry providing all positioning and technology control functions

- Covers for protection of mechanical parts against fumes and damages
- Efficient and user-friendly PC-based CNC control system iMSNC®
 - Integrated database of tool parameters
 - Multi-tool operation
 - Automatic assignment of tool parameters to processed material
 - Full network connectivity
 - Remote diagnostics and assistance
 - Parametrical dynamic piercing
 - Monitoring of consumable life
 - Advanced servicing software tools

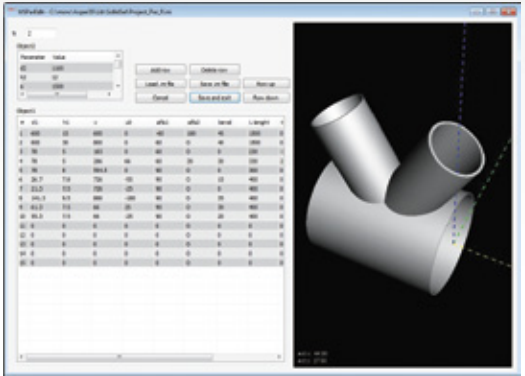




- Modular design providing the possibilities of various machine variants as well as further expansion of the system according to customers requirement
- Wide application field in tank, pipeline and power plant constructions
- Excellent motion dynamics
- Meeting of comprehensive safety and environmental standards



TECHNICAL PARAMETERS * depends on the machine configuration				
Working length	Pipe diameter	Positioning speed	Positioning accuracy	Type of guides in X, Y direction
1 500 – 12 000 mm	Round Ø 100 – 2 000	up to 30 m/min	± 0.15 mm	linear guidelines



MicroStep®

MicroStep spol. s r.o.
 Vajnorská 158
 831 04 Bratislava
 Slovakia
 tel.: +421 2 32 27 72 00
 fax: +421 2 32 27 70 01
 www.microstep.eu
 e-mail: marketing@microstep.sk